

Broken Band

When printing the templates, ensure that paper size is set to A4, and scale to 100%

JUNE

This block seems only to have appeared in 1920 in *The Farm News*, which was a farming magazine published in the early twentieth century.

It would also suit a feature fabric in the centre square.

Fabrics

I have chosen to make it in three fabrics, but any number could be used.

Fabric 1 - Orange

Fabric 2 - Cream

Fabric 3 - Green

Cutting Instructions

In this block I have chosen to use the templates. If you want to rotary cut the sizes are marked on the templates in inches.

Please note:

For rotary cutting, remember to add a $\frac{1}{4}$ " seam allowance to the given sizes.



Fabric 1 - Cut 1 of Template D.
Cut 4 of Template A.
Cut 8 of template B.

Fabric 2 - Cut 4 of Template A.
Cut 8 of Template B.

Fabric 3 - Cut 4 of Template C.
Cut 4 of Template A.

Assembly Instructions

Use the diagram at every step to get the placing correct.

1. Take the 4 templates A in Fabric 2 and join one to each side of template D in Fabric 1. (called Square 1) See *diagram 1*
2. Take the 4 templates C in Fabric 3 and join one to each side of Square 1. Check diagram for placement. (called Square 2). See *diagram 2*
3. We will now construct the outer corner triangles. Join 2 of template B in Fabric 2 to 1 of template A in Fabric 1.
Next join 1 of template B in Fabric 1 to each end of this. See *diagram for placement*.

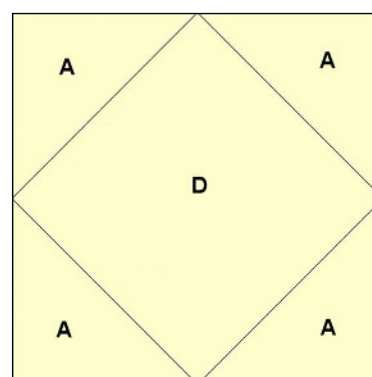


Diagram 1

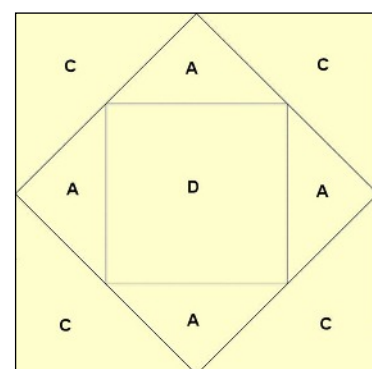


Diagram 2

Lastly join 1 of template A in Fabric 3 to this piece.
You should now have a triangle as shown in *diagram 3*

Make 4 of these triangles.

4. Now join 1 of these triangles to each side of Square 2.
Check diagram for placement. See *diagram 4*

You should now have a 12½ inch square.

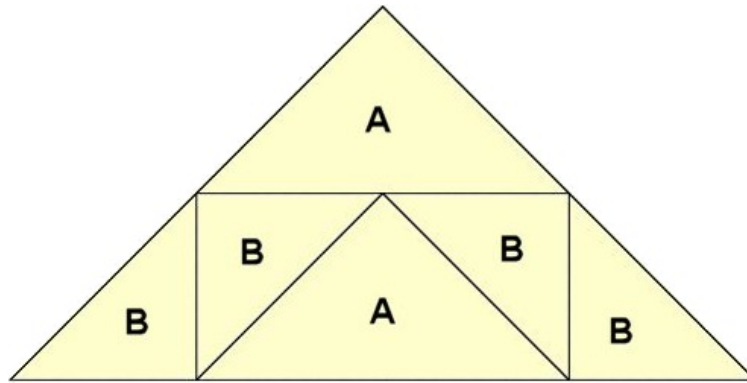


Diagram 3

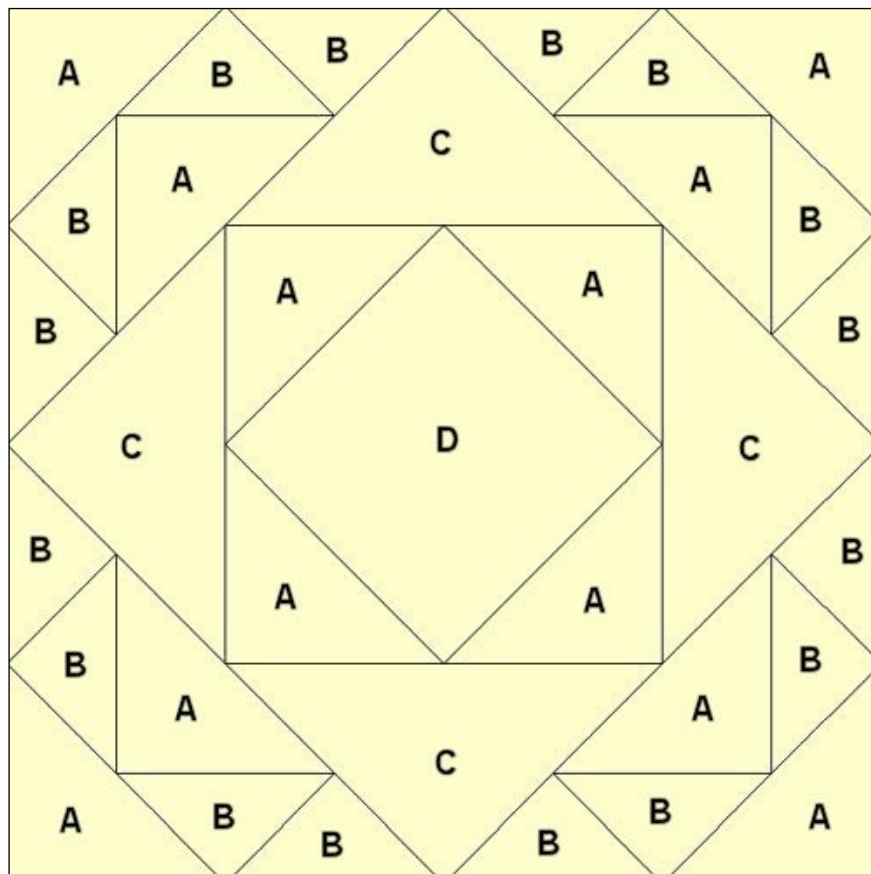
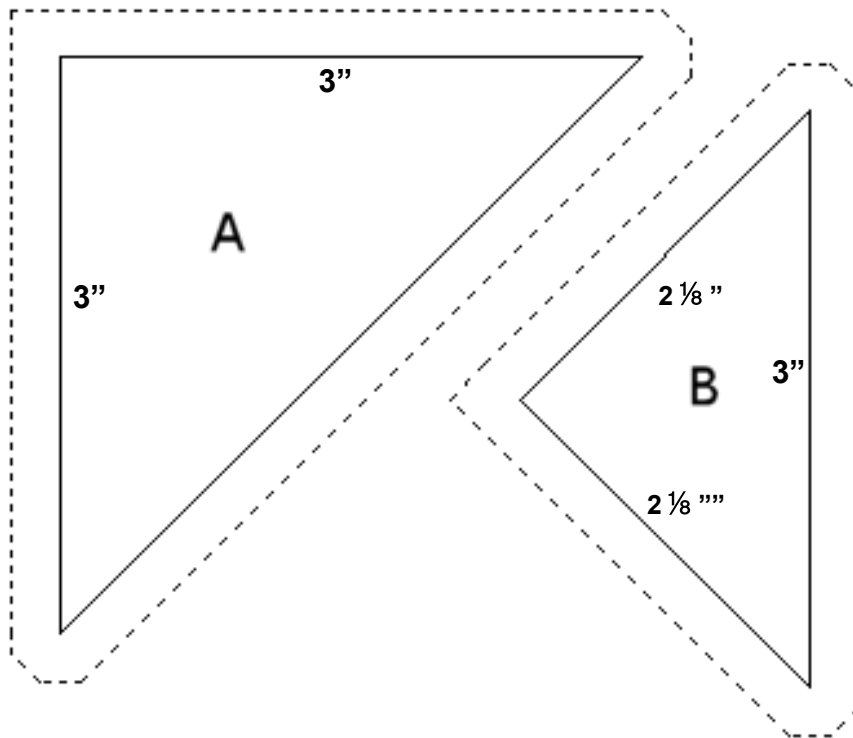


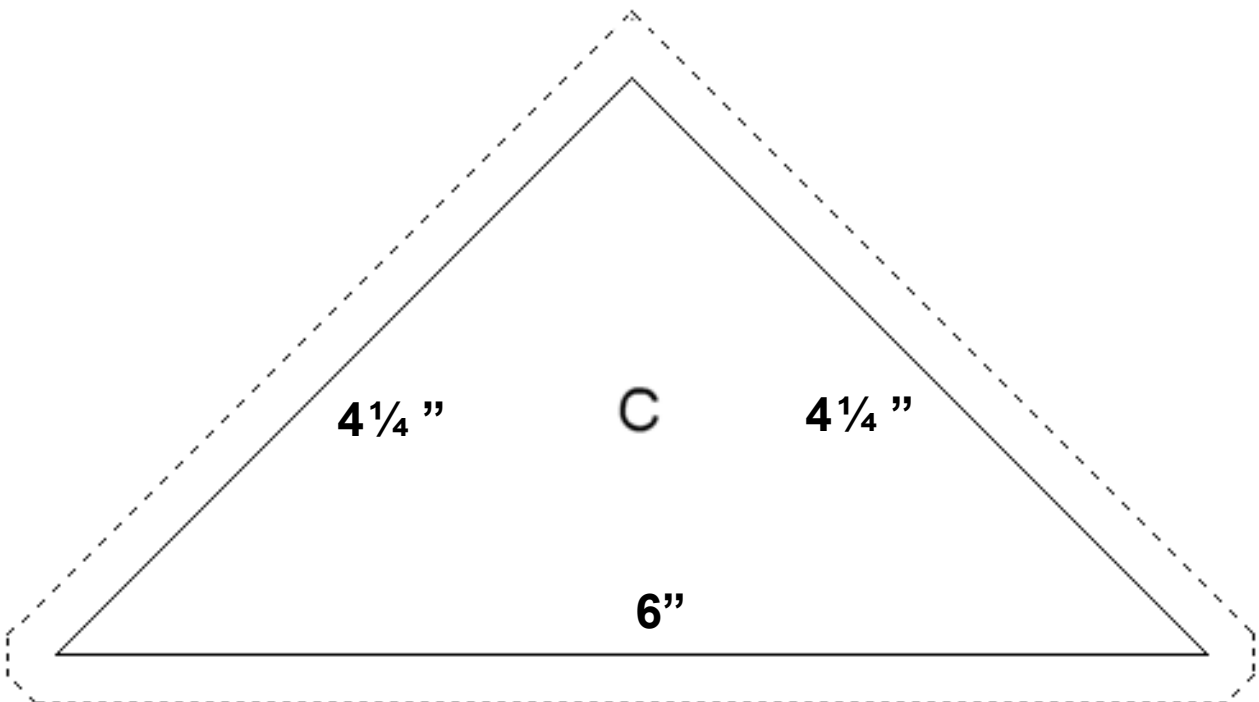
Diagram 4

All Templates include $\frac{1}{4}$ inch seam allowance.

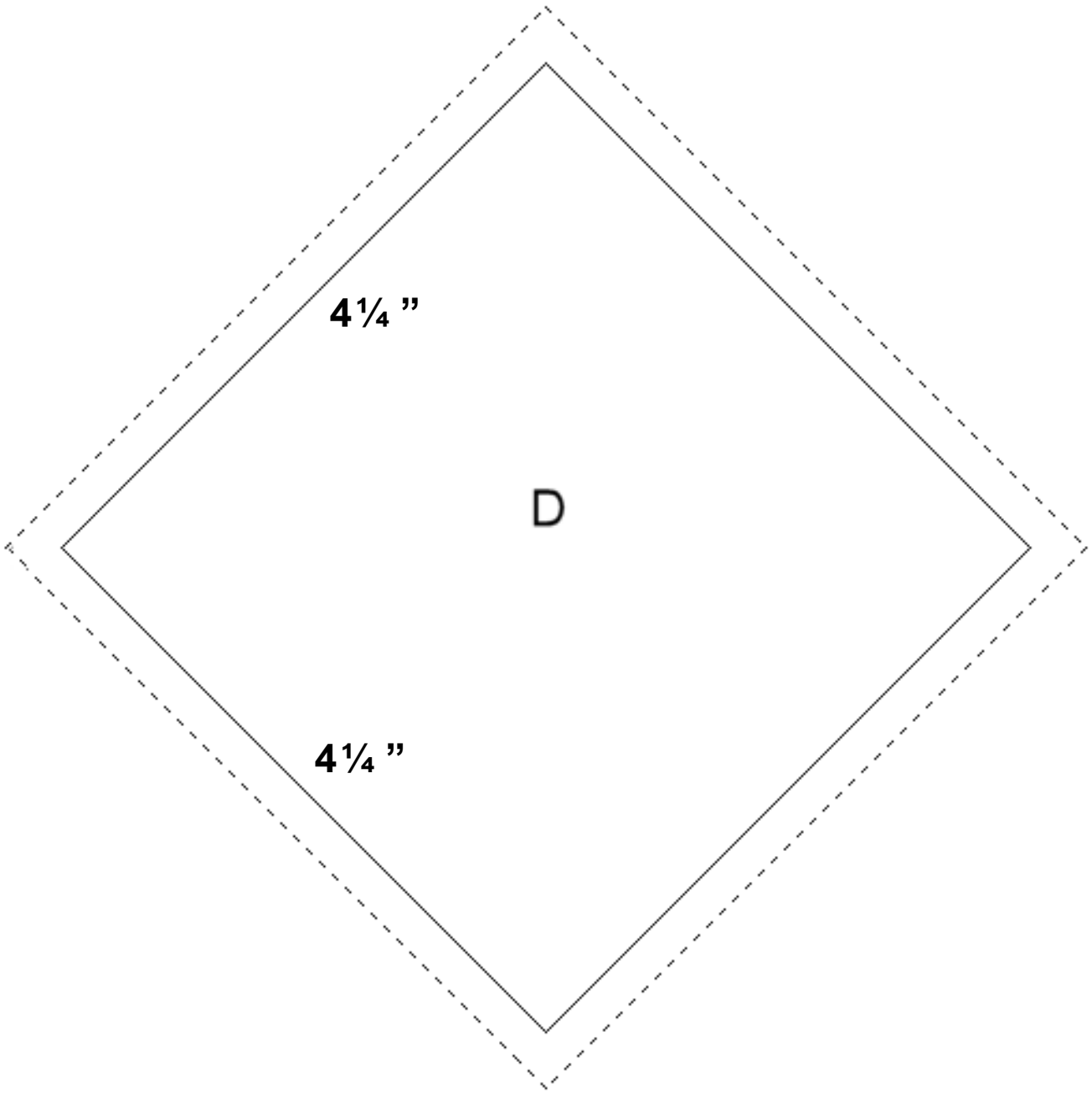
This template should be printed at 100% scale,
with paper size set to A4



Broken Band Template



This template should be printed at 100% scale,
with paper size set to A4



Broken Band Template