

Country Crown

When printing the templates, ensure that paper size is set to A4, and scale to 100%

January

Fabric

Fabric 1: White
Fabric 2: Blue

Cutting instructions

Print out the templates.
A $\frac{1}{4}$ inch seam allowance is included.

Fabric 1: Cut 8 of template D
Cut 4 of template E
Cut 1 of template F

Fabric 2: Cut 28 of template A
Cut 4 of template B
Cut 4 of template C

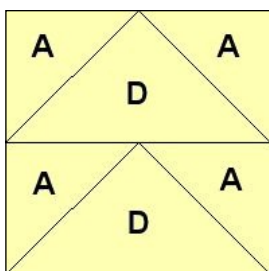
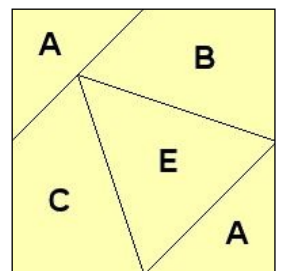
Assembly Instructions

This is a nine patch block so we will be constructing 9 small squares to start.

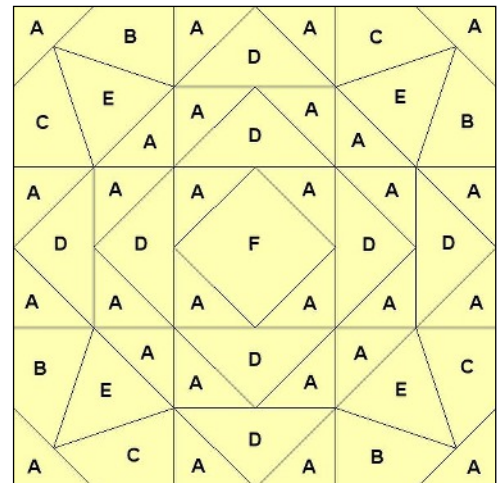
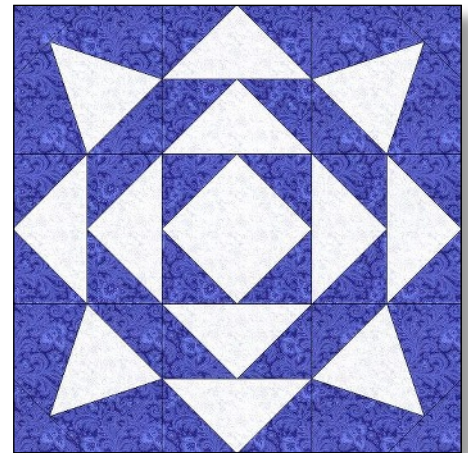
1. Take 1 of template E, 1 of template C and 1 of template B and join together as shown in diagram.

Next join 2 template A as shown.

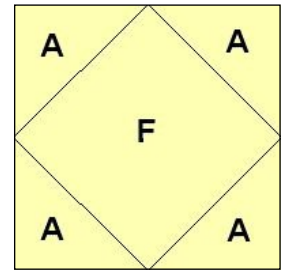
Make another 3 squares the same as this one. (Called square 1)



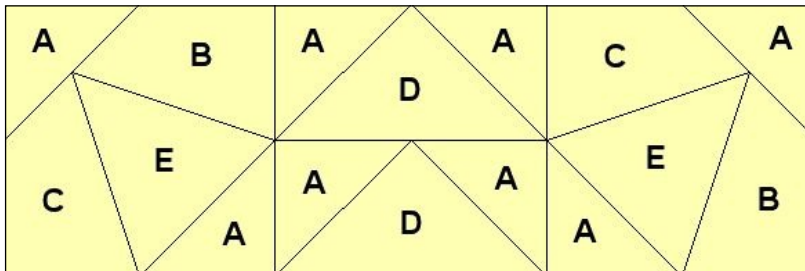
2. Take 1 of template D and 2 of template A and join together as shown in diagram. Do this twice. Now join the two pieces to make a square as shown. Make another 3 squares in the same way. (Called square 2)



3. Next take 1 of template F and 4 of template A and join together as shown in diagram. (called square 3)

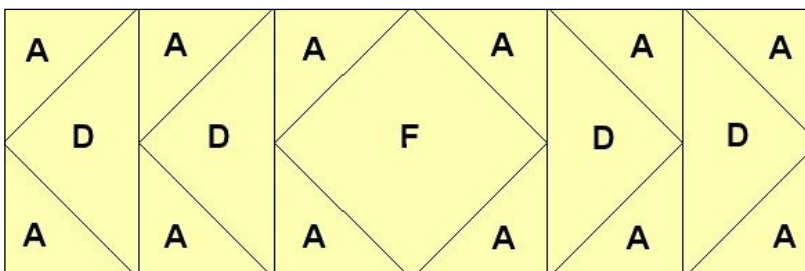


4. You should now have 9 little squares. We will join them into 3 strips. Take 1 of square 2 and join a square 1 to either side as shown in diagram. Check the rotation and position.



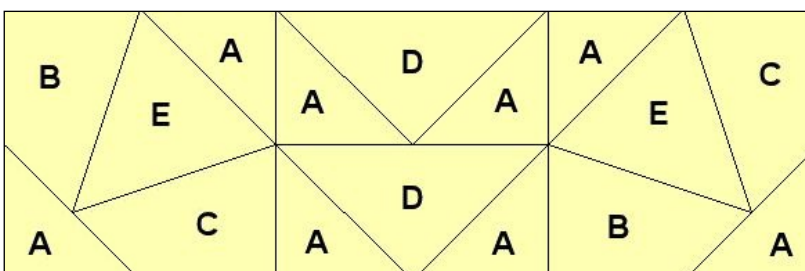
(Called Strip A)

5. Next take square 3 and join a square 2 to either side as shown, checking rotation and position.



(Called Strip B)

6. Now repeat step 4 noting that the squares do not have the same rotation. Check the diagram to do this.

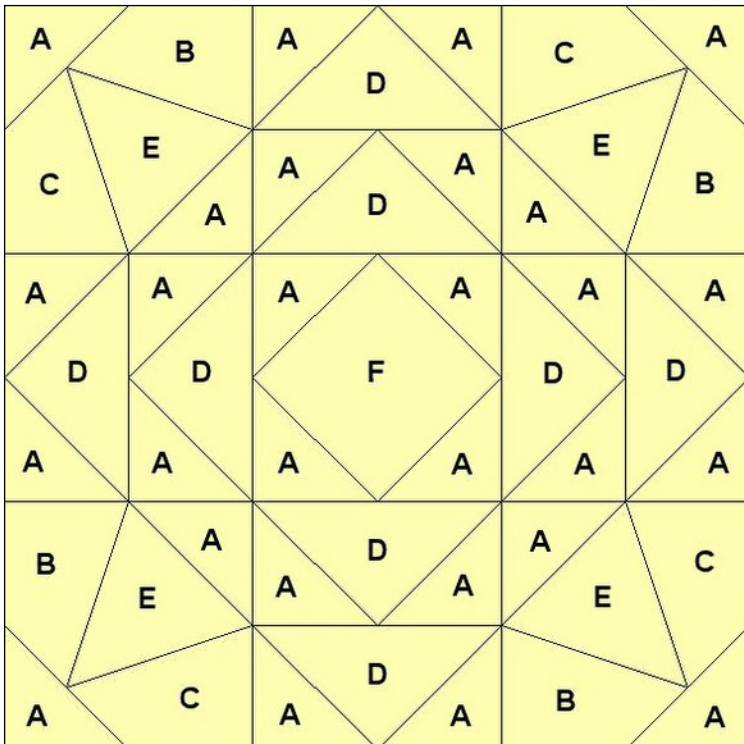
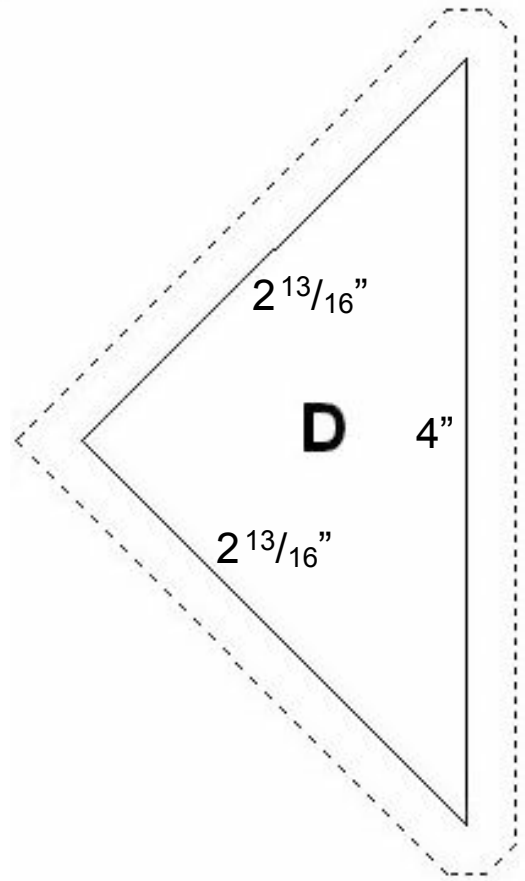
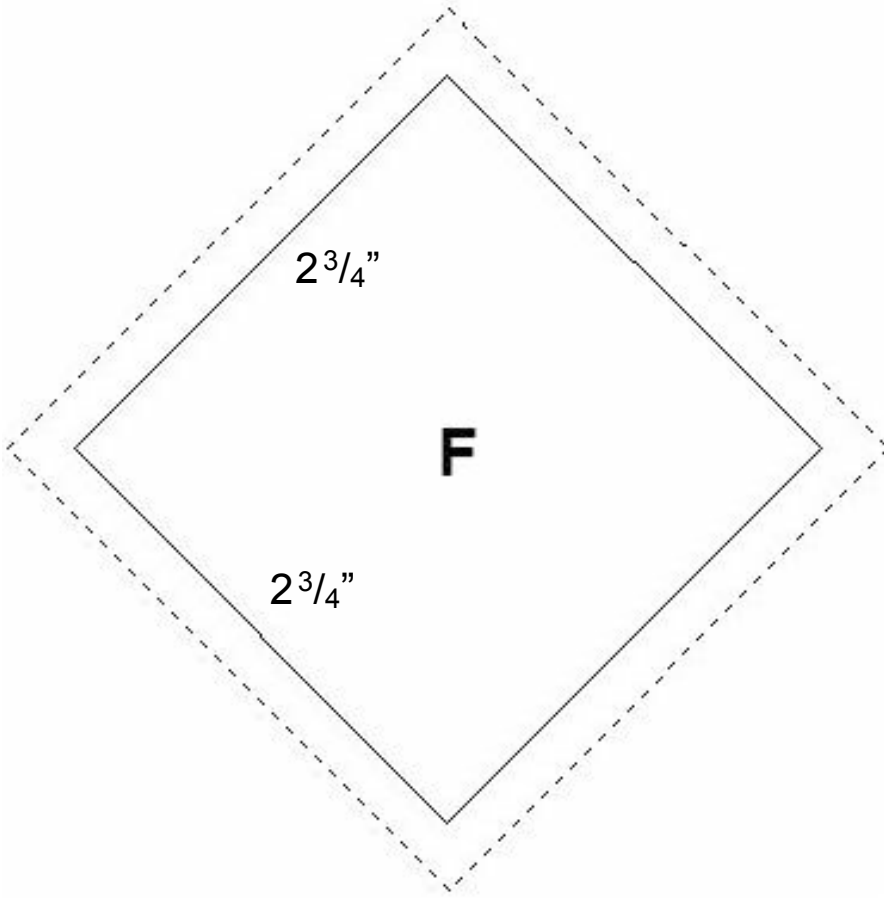


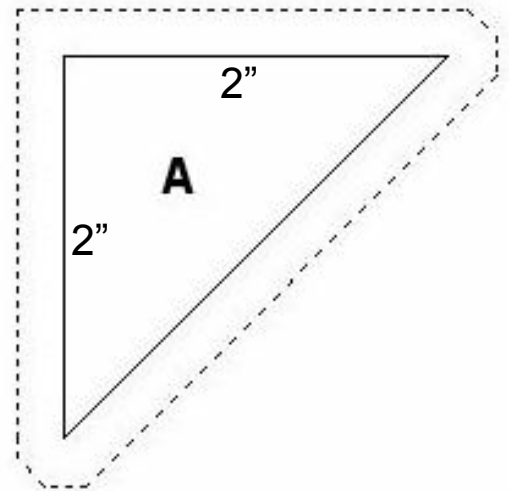
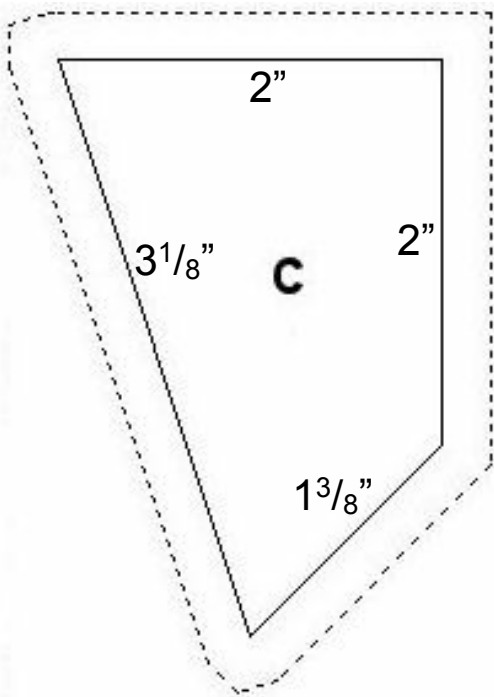
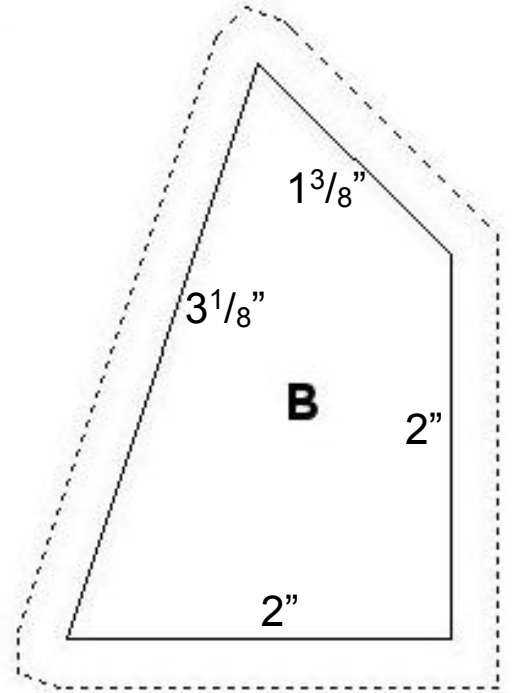
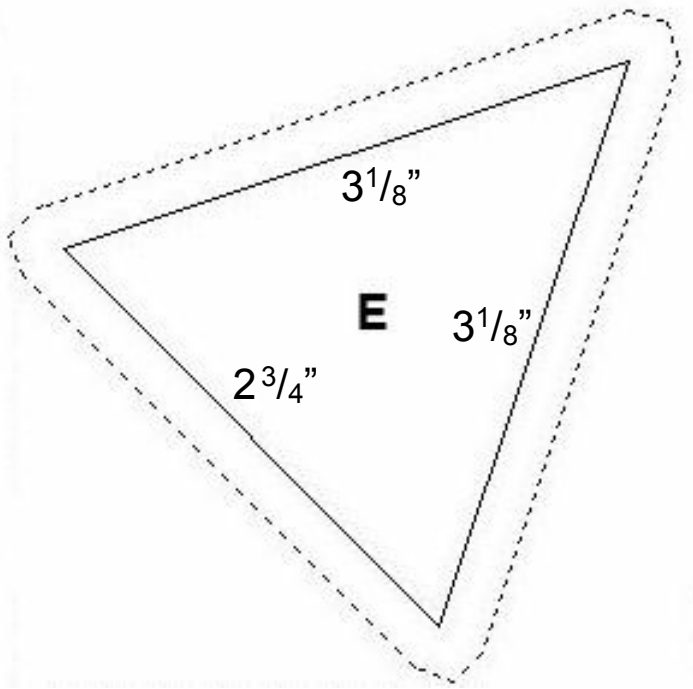
7. The next step is to join these 3 strips in the order A, B and C. Consult Diagram above to check that position and rotation are correct.

You should now have a $12\frac{1}{2}$ inch square.

This template should be printed at 100% scale,
with paper size set to A4

Country Crown Template





Country Crown Template