

## Storm at Sea

MARCH

This is a traditional block with wonderful design possibilities. When repeated blocks are used the long triangles give an illusion of circles. Pattern changes can be produced by playing with fabrics. This block can be made with any number of fabrics, from as few as two.

The instructions are for a 12  $\frac{1}{2}$  inch block but feel free to make it any size that suits you. I have used 4 fabrics but again this can be changed.

### Cutting instructions

Choose 4 fabrics.

Fabric 1 - dark blue.

Fabric 2 - light blue.

Fabric 3 - purple.

Fabric 4 - lilac.

Cut out the nine templates  
( $\frac{1}{4}$  inch seam is included.)

### Fabric 1

Cut 12 of Template A.

Cut 4 of Template D.

Cut 4 of Template G.

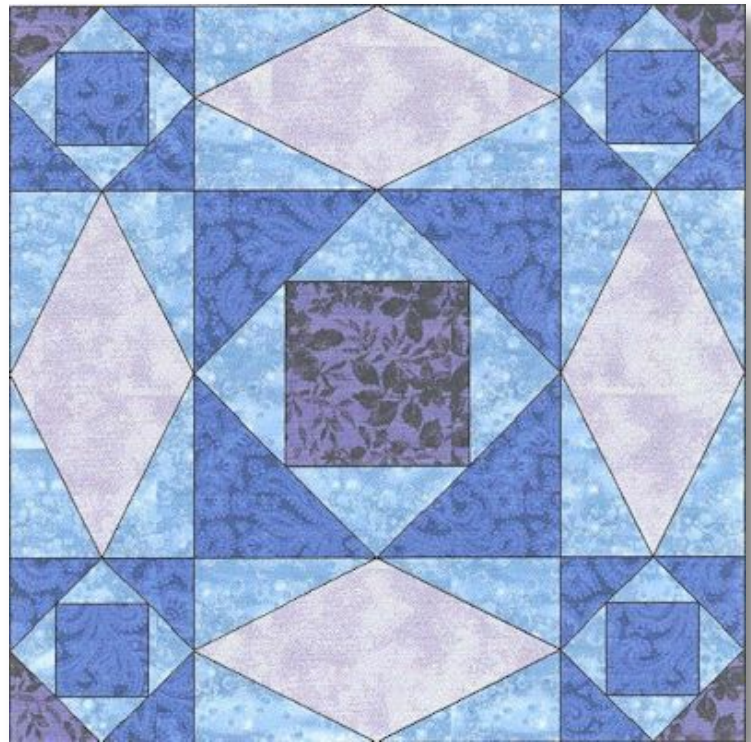
### Fabric 2

Cut 8 of Template B.

Cut 8 of template C.

Cut 4 of Template F.

Cut 16 of Template H.



### Fabric 3

Cut 1 of Template E.

Cut 4 of Template A.

### Fabric 4

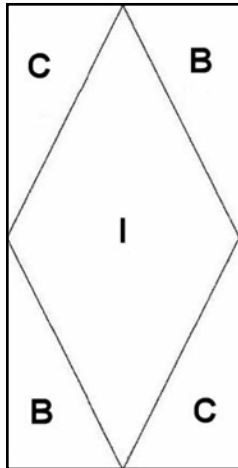
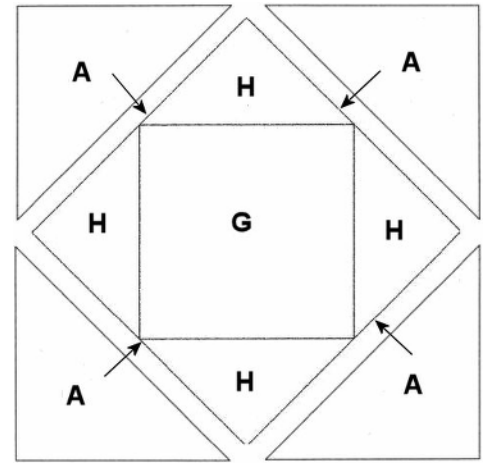
Cut 4 of template I.

## Assembly Instructions

1. Sew 4 H triangles to the sides of square G.  
Next join 4 A triangles to each corner to complete the square.

Make 4 of these in total.

These will be known as Square 1.



2. Sew 2 of triangle C and 2 of triangle B to I.

Make 4 of these.

These will be known as Rectangle 1.

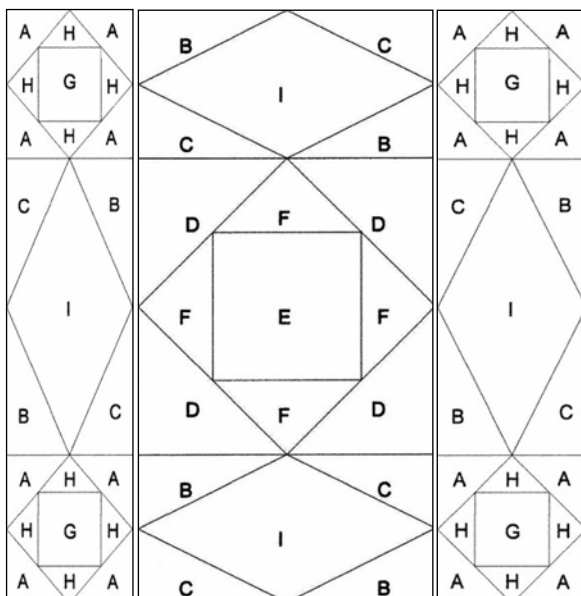
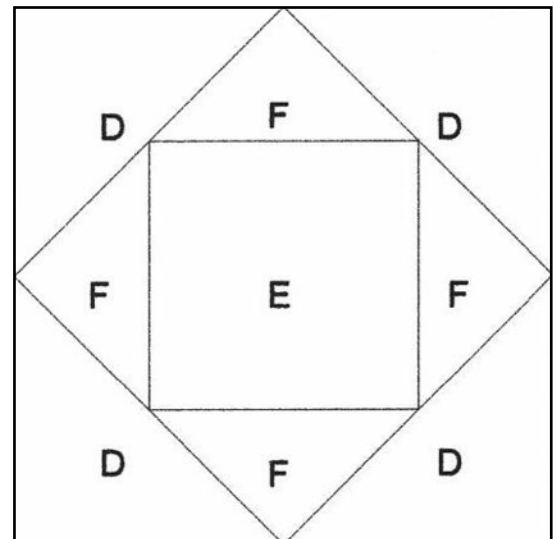
Sew 4 of triangle F to square E.

Now sew 4 of triangle D to corners.

This will be known as Square 2.

Now we must construct the block.

Refer to diagram below.



Take 2 of Square 1 and sew to short sides of Rectangle 1.

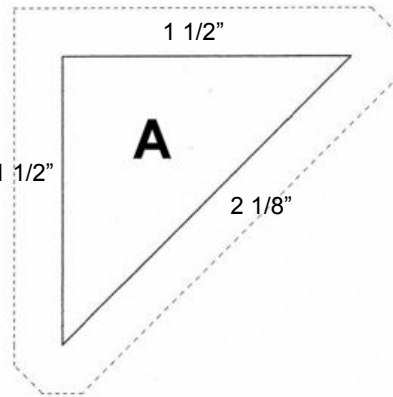
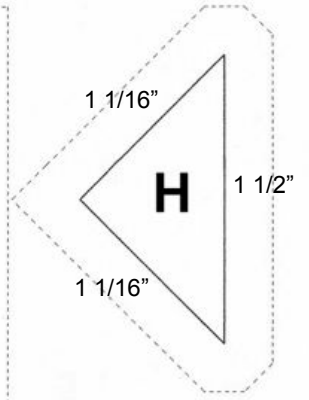
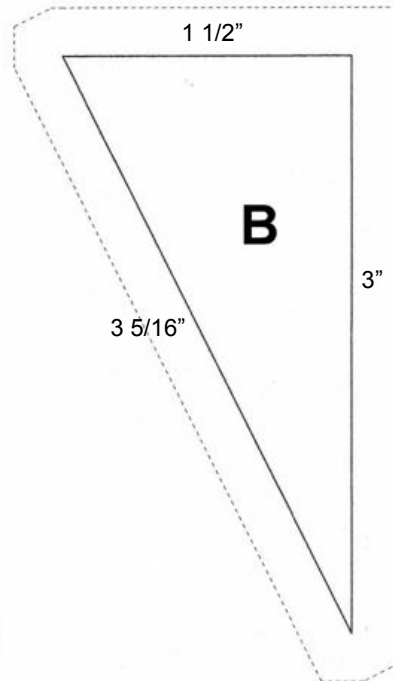
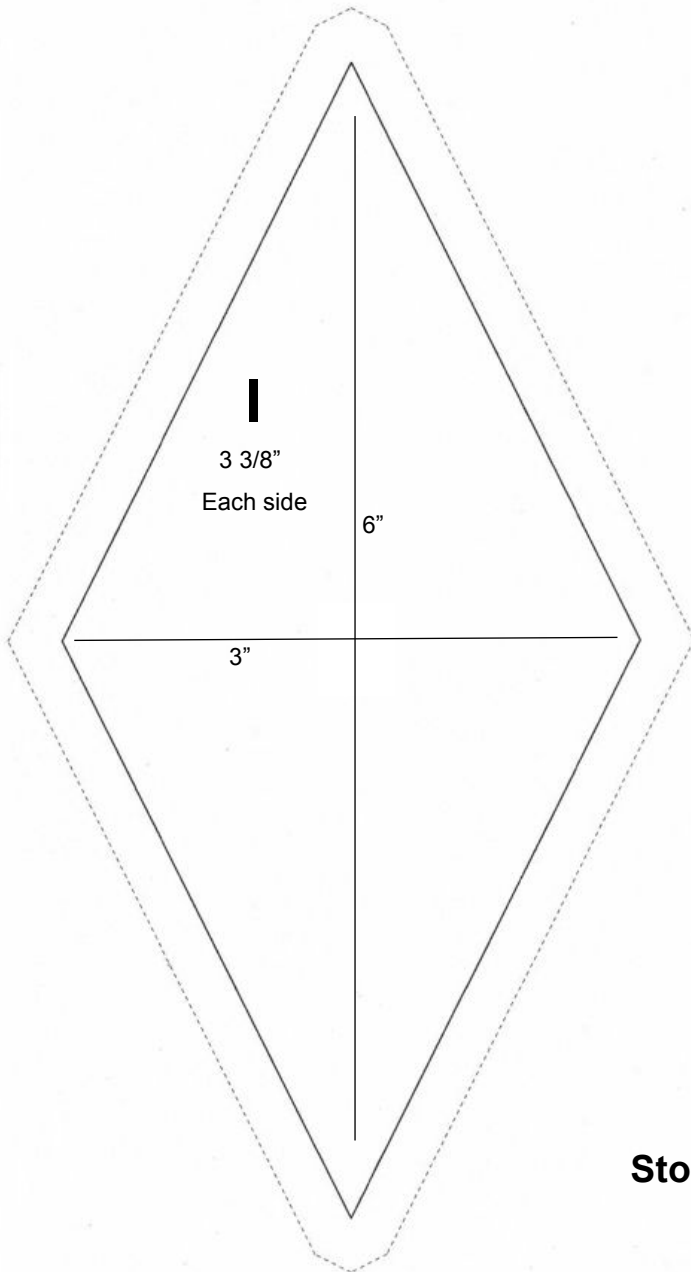
Make 2 of these.

Take 2 of Rectangle 1 and sew to sides of Square 2.

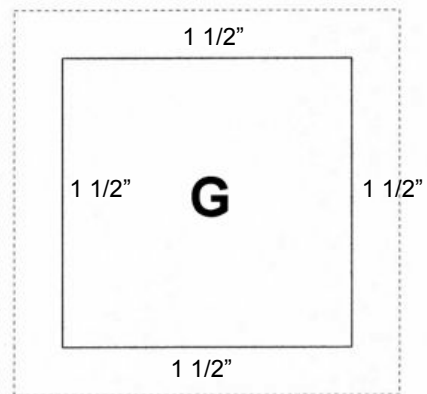
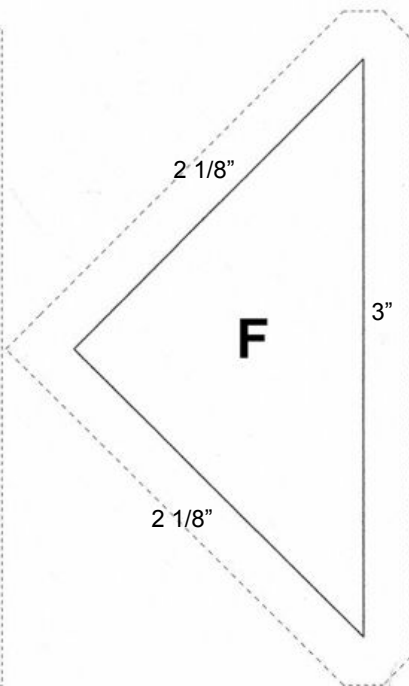
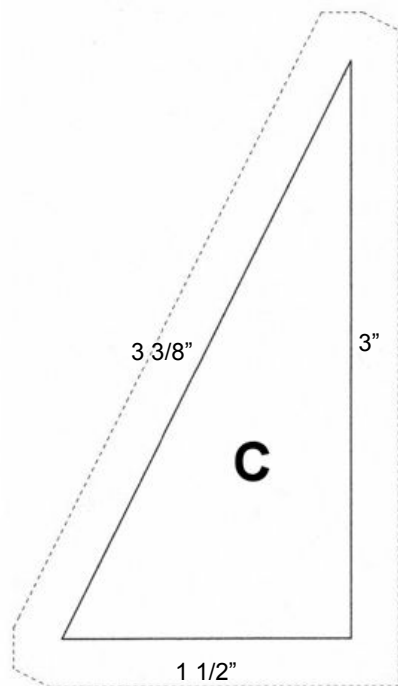
You now have 3 pieces.

Join together with Square 2 in the centre.

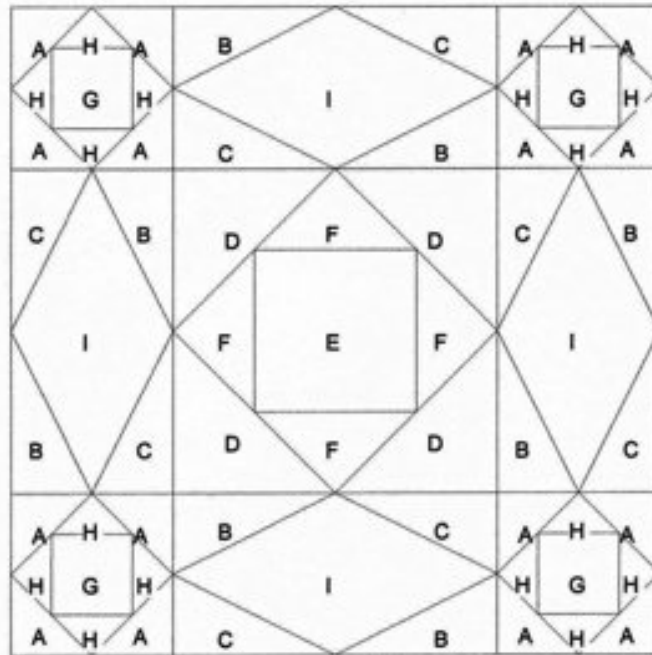
You should now have a  $12\frac{1}{2}$  inch block.



**Storm at Sea Template 1, page 1**



**Storm at Sea**  
 Pattern for 12.00x12.00 block  
 Key Block (14/50 actual size)



**Storm at Sea Template, page 2**

