

Fabrics

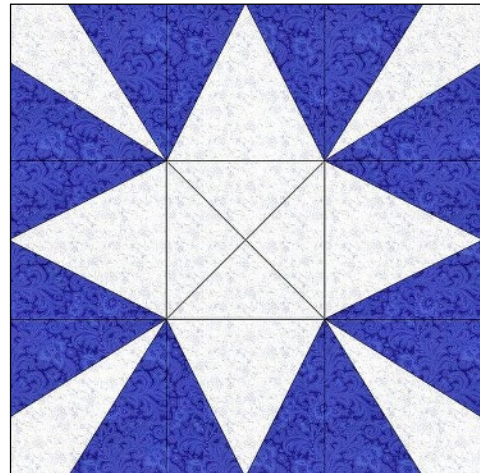
Fabric 1: White

Fabric 2: Blue

Cutting Instructions

Print out the templates.

Note that $\frac{1}{4}$ inch seam allowance is included.



Fabric 1: Cut 4 of template A
Cut 4 of template F
Cut 4 of template G

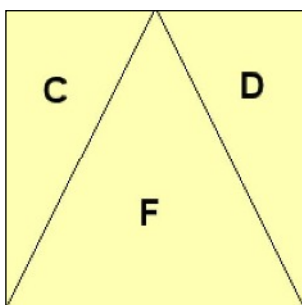
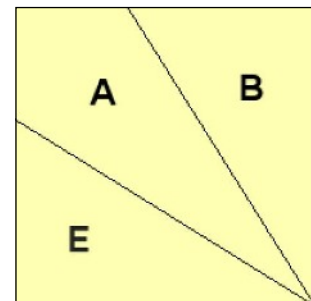
Fabric 2: Cut 4 of template B
Cut 4 of template C
Cut 4 of template D
Cut 4 of template E

Assembly instructions

This is a nine patch block so we will first make the 9 squares.

1. Take one of template A and join a template B and a template E to it as shown in the diagram.

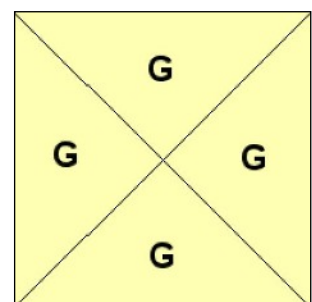
You will need to make 4 of these squares in total.
(Called Square 1)



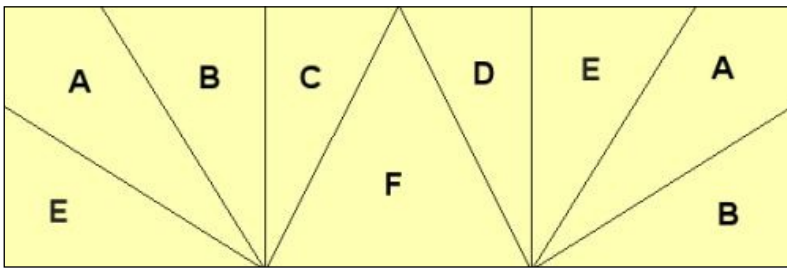
2. Next take one of template F and join a template D and a template C to it as shown in the diagram.

You will need to make 4 of these in total. (Called Square 2).

3. Now take the 4 template G and join together as shown in the diagram. This is Square 3.

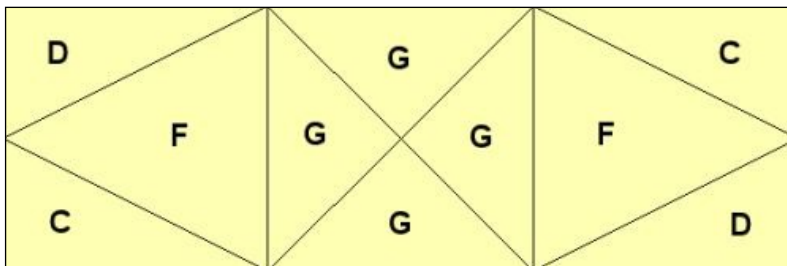


4. Now we will make these squares into strips. Take one of square 2 and join a square 1 to either side. Consult the diagram for correct rotation.



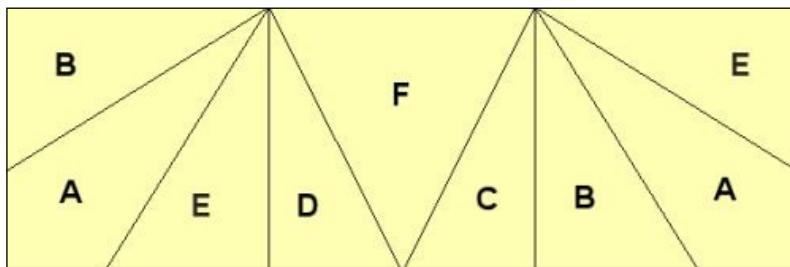
This will be called Strip A

5. Take square 3 and join a square 1 to either side as shown in diagram. Be careful with the rotation of the squares.

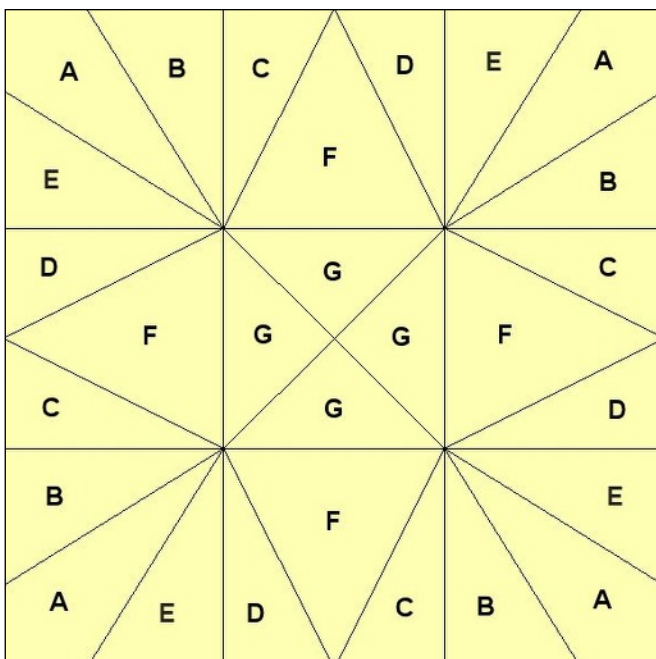


This will be called Strip B

6. Now repeat step 4 consulting the diagram for position and rotation.



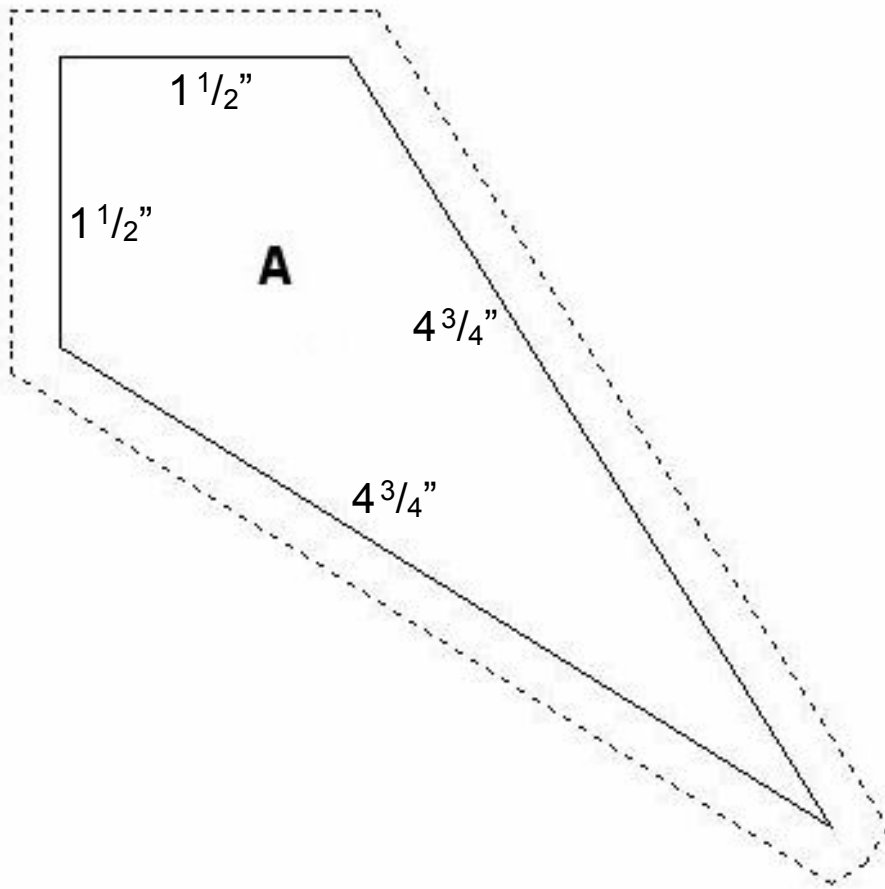
This will be called Strip C



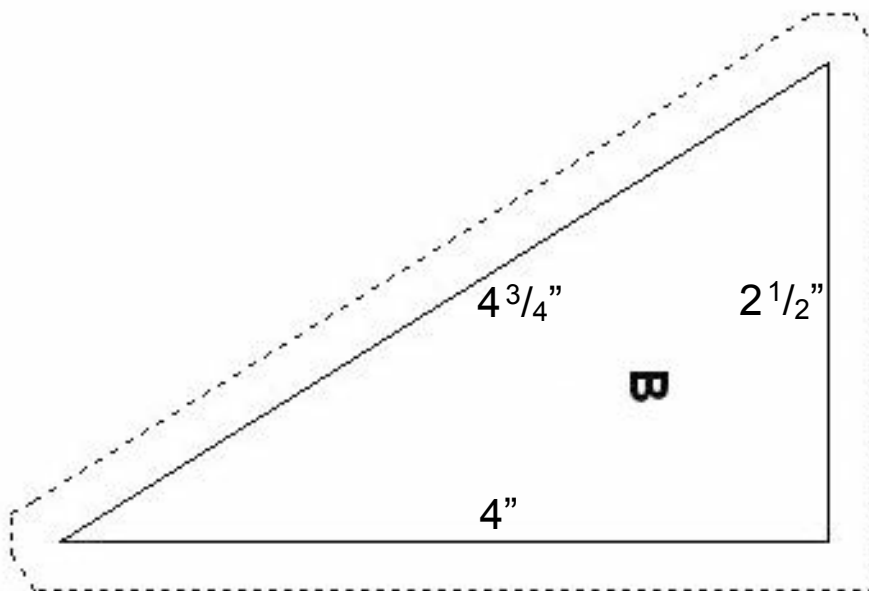
7. Now we join the three strips together in the order of A, B and C as shown.

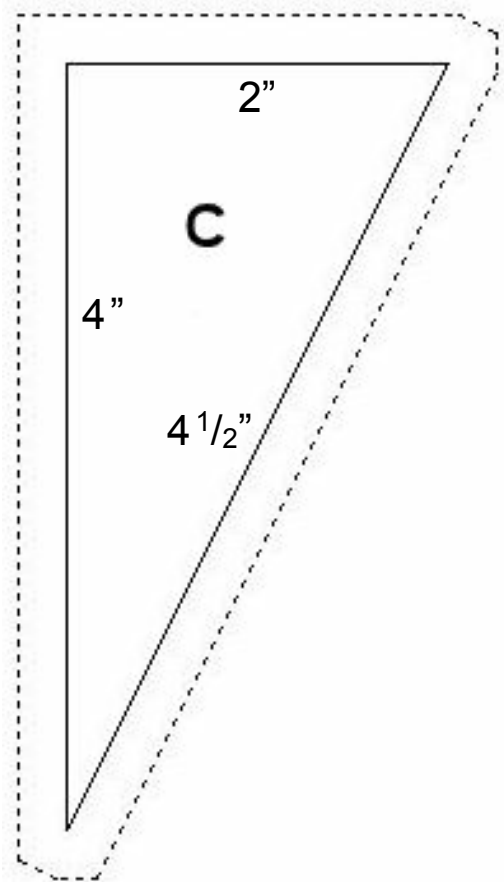
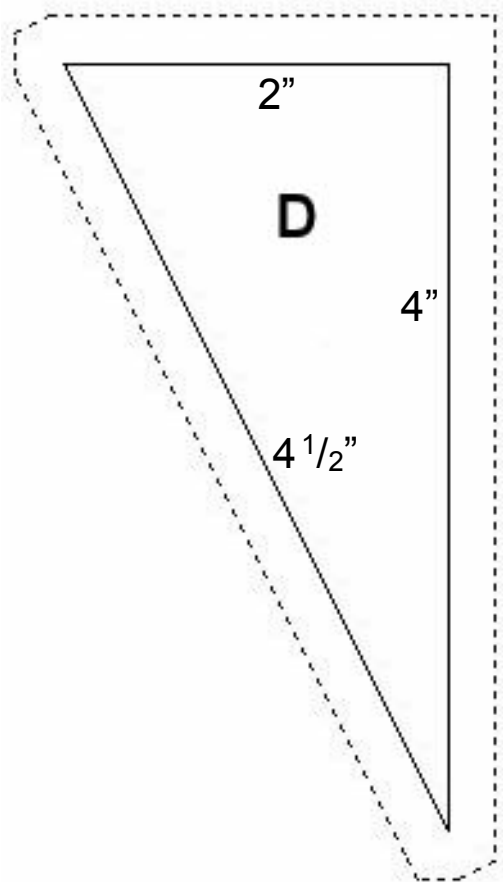
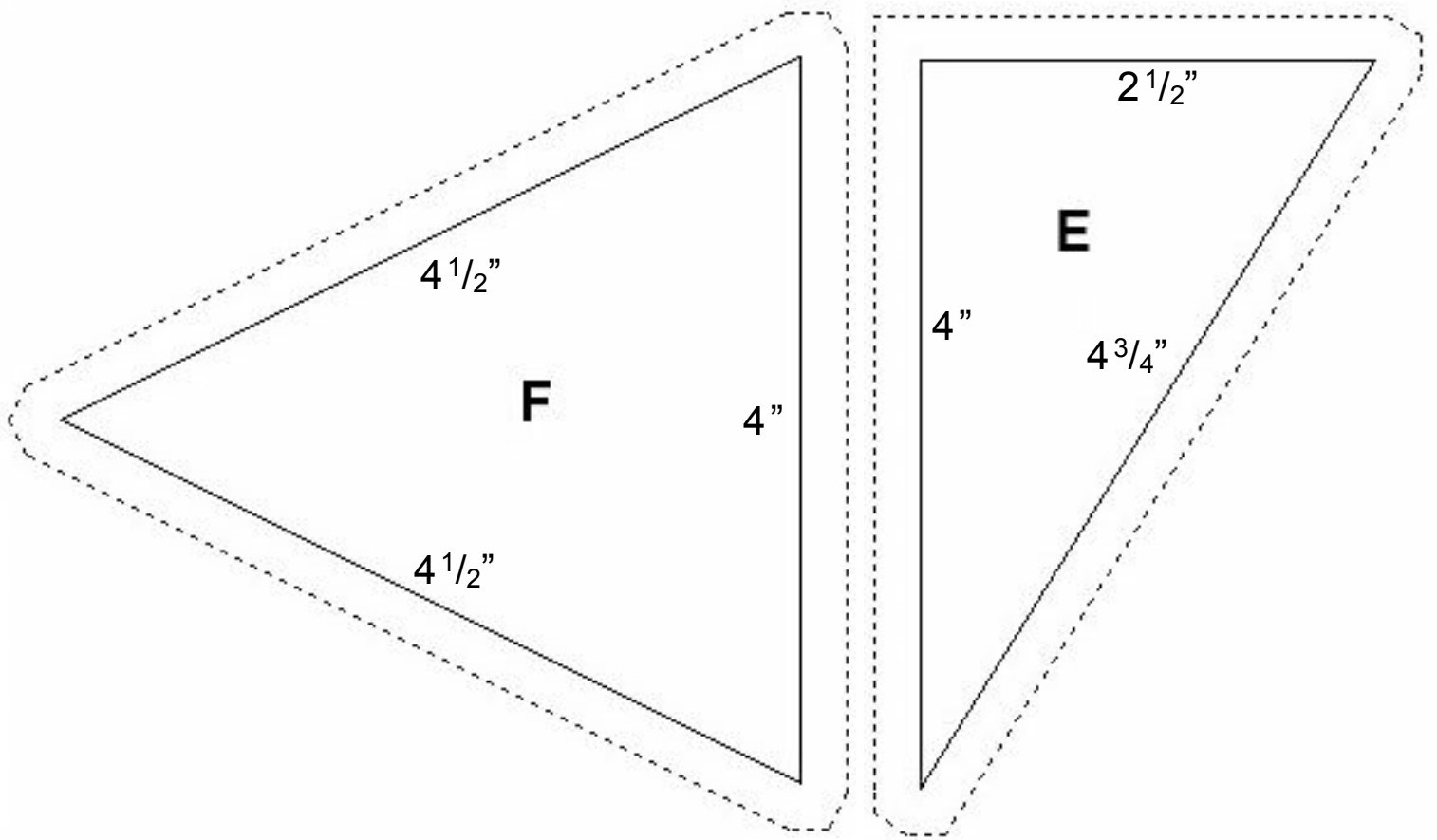
You should now have a $12\frac{1}{2}$ inch square.

This template should be printed at 100% scale,
with paper size set to A4

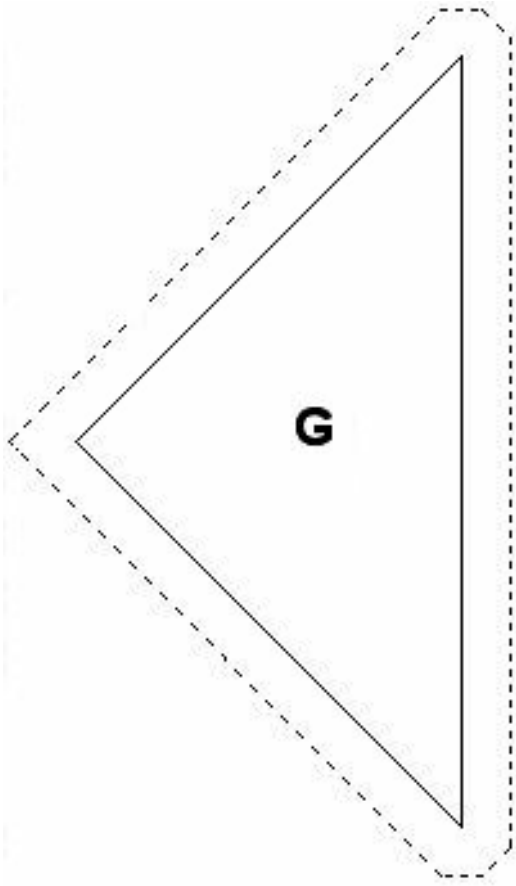


Time & Tide Template





Time & Tide Template



Time & Tide Template

